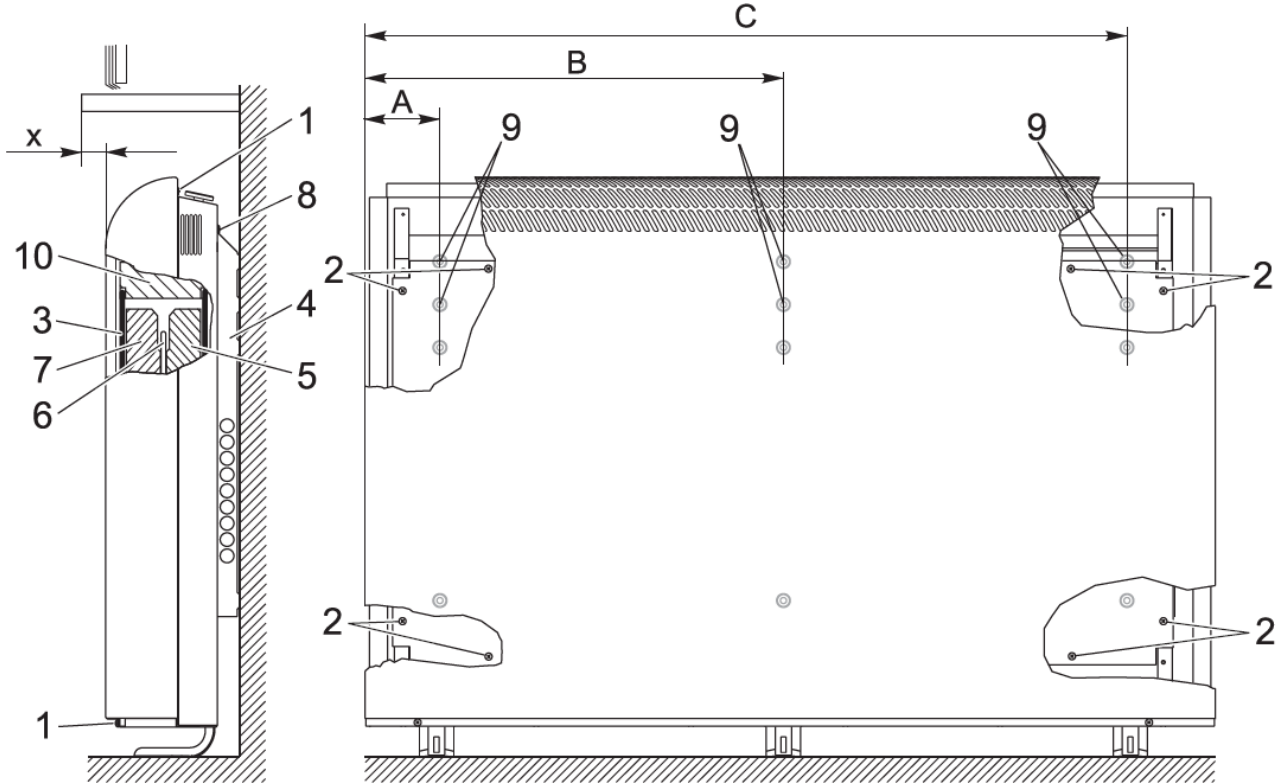


# Change of the Core Sensor TTB-E Duo+

## 1 Opening

Loosen the screws (1) (Fig 2) and remove the front panel.

Fig. 2

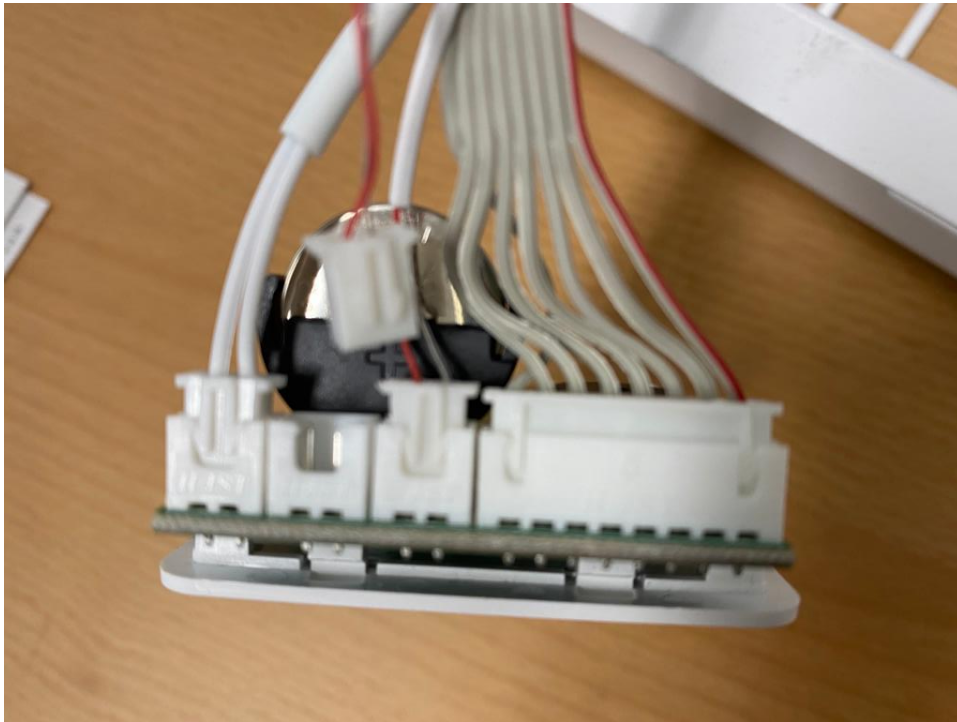


## 2 Remove the screw and then remove the Sensor from the holding



**3 Loosen the cable tie**

**4 Remove the second plug**



**5 Put the new plug and the Sensor into the holdings**

**6 Fasten the screw for the Sensor**